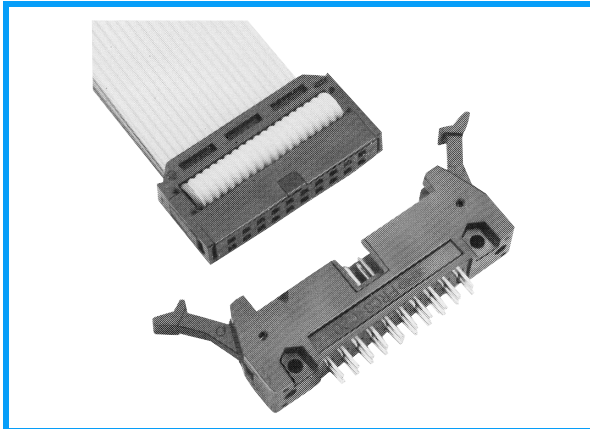


High Current Version for 2-Piece Connectors

B

FRC3



- FRC3 series is of the current capacity 3A and contact pitch 3.175mm .

FEATURE

- Number of contacts : 16, 20, 34
- Applicable cable : Cable pitch 1.59mm
AWG 24 (solid and stranded)

SPECIFICATION

Voltage rating	250V AC (rms)
Current rating	3A/contact
Dielectric withstanding voltage	500V AC (rms) for 1 minute
Insulation resistance	1000M Ω min. at 500V DC
Contact resistance	15m Ω max.
Operating temperature	-55°C to +105°C

MATERIAL/FINISH

Socket	Housing	Polycarbonate resin (UL94V-0)
	Cover	Polycarbonate resin (UL94V-0)
	Contact	Copper alloy/Gold over Nickel plating
	Strain Relief	Polyamide resin (UL94 V-0)
Header	Block	PBT resin (UL94V-0)
	Contact	Copper alloy/Gold over Nickel plating

FRC3 Series

Unit : mm

Socket

FRC3-A020-10S

COVER STYLE

0 : Open end Cover

NO. OF CONTACTS

16, 20, 34

CONTACT PLATING

- 1 : 0.8 μ Gold over Nickel
- 2 : 0.4 μ Gold over Nickel
- 3 : Gold flash over Nickel

STRAIN RELIEF

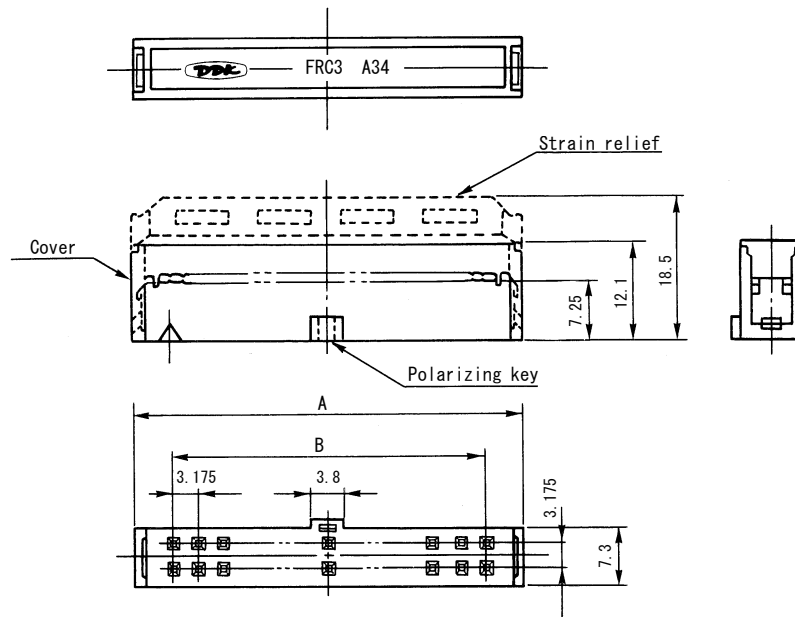
No designation : Without strain relief
(for header with short locks)
S : With strain relief
(for header with long locks)

POLARIZING KEY

0 : 16, 20, 34.....1 key

B
FRC3

NO. OF CONTACTS	A	B
16	32.03	22.225
20	38.38	28.575
34	60.60	50.800

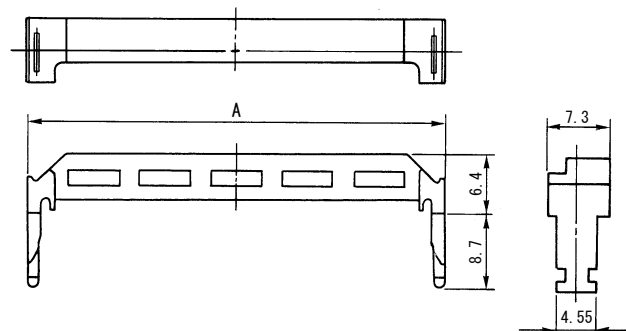


Strain Relief

FRC3-20-04

NO. OF CONTACTS

16, 20, 34



Header

B
FRC3

FRC3-C20S11-0L

NO. OF CONTACTS
16, 20, 34

CONTACT TAIL STYLE
L : Right angle
S : Straight

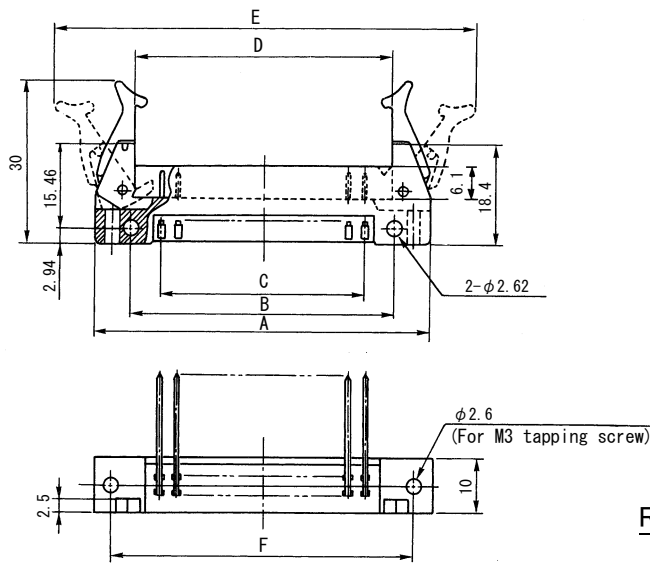
CONTACT TAIL LENGTH
1 : 3.6mm
2 : 15mm

LOCK LEVER
L : Long (for socket with strain relief)
S : Short (for socket without strain relief)

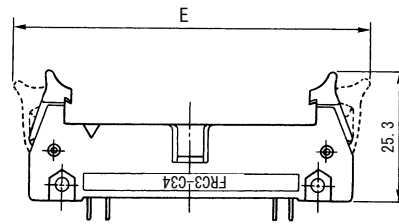
KEY SLOT
0 : 16, 20, 34.....1 key

CONTACT PLATING
1 : 0.8 μ Gold over Nickel
2 : 0.4 μ Gold over Nickel
3 : Gold flash over Nickel

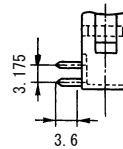
Header with long locks



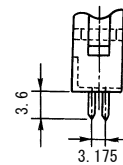
Header with short locks



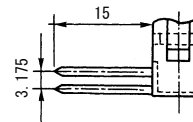
Right angle DIP



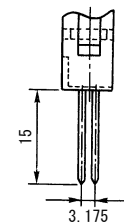
Straight DIP



Right angle wrapping

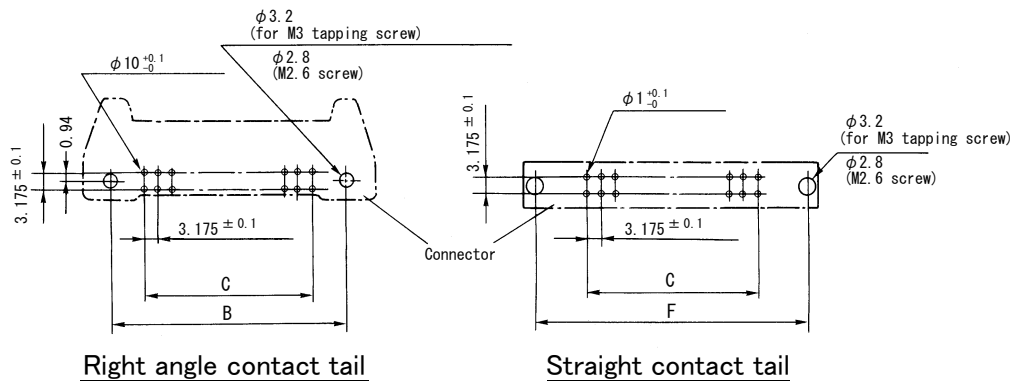


Straight wrapping



NO. OF CONTACTS	A	B	C	D	E		F
					S locks	L locks	
16	46.56	36.60	22.225	32.23	57.20	63.6	39.85
20	52.90	39.88	28.575	38.58	63.50	70.0	46.20
34	75.13	62.10	50.800	60.80	85.70	92.2	68.43

PCB Mounting Dimension

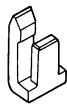
B
FRC3

■ Polarizing Key for Sockets

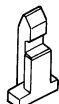
HU-005

Material·····Polyamide resin (UL94V-0)

The HU-005 is attached to the socket.
A pair of HU-005 consists of an HU-005-1
and an HU-005-2.



HU-005-1



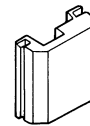
HU-005-2

■ Key Guide for Header

HU-006

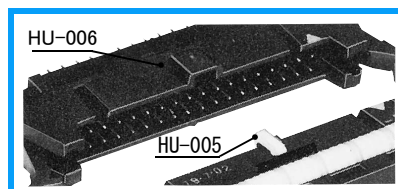
Material·····Polycarbonate resin (UL94V-0)

The HU-006 is attached to header.



HU-006

Note : If connectors having same number of con-
tacts are used side by side, wrong insertion
between adjacent connectors can be prevented.



Cable Assembly Tools

Cable cutting tool P/N : 357J-4256, Termination tool P/N : 357J-4674D (press)
P/N : 357J-4669 (attachment)